

ERF6000, RF connector, SMA Female, Right Angle

Features

Mechanical Properties

Parameter:	Description
Connector Type:	SMA Female Right Angle
Dimensions:	15 x 13.9 x 7 mm ± 0.1
Operating Temperature Range:	-20°C~+65°C
Storage Temperature Range:	-20°C~+65°C



Typical applications

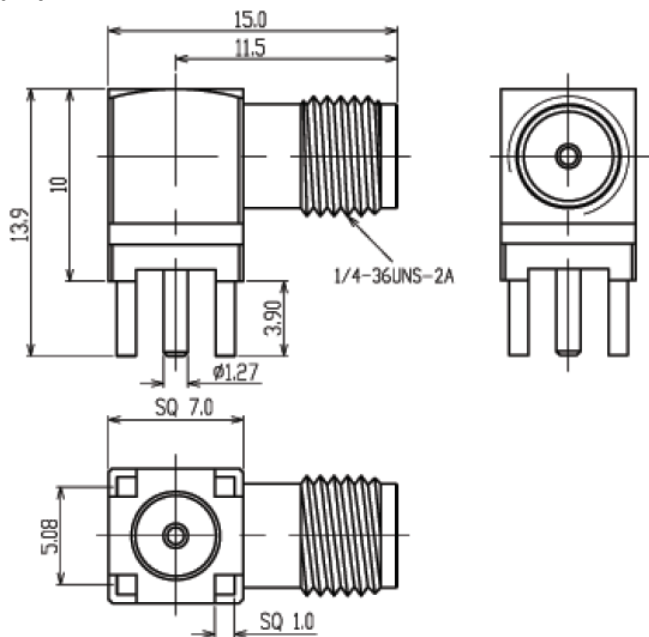
- RF connections
- Antenna connector
- Antenna cable connector

Description

The ERF6000 is a RF connector suitable for RF applications. the connector is of SMA Female type, with a right angle form factor. The mounting method on the PCB is through hole. It can be used for RF connections and as antenna connector.

Dimensions

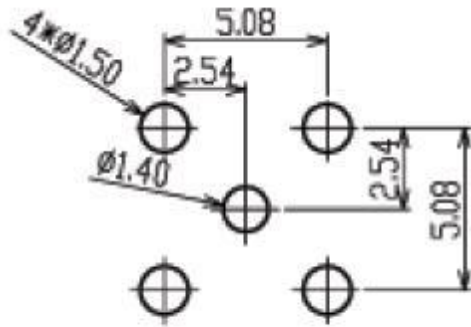
*unit: mm



ERF6000, RF connector, SMA Female, Right Angle

PCB Footprint

*unit: mm

FIGURE A: RECOMMEND PCB MOUNT LAYOUT**Ordering information**

Ordering can be done via www.summit-electronics.com or via info@summit-electronics.com. Please contact us for more information. Customisation of the product is available on request.

Technical support

For all product questions please contact us via info@summit-electronics.com